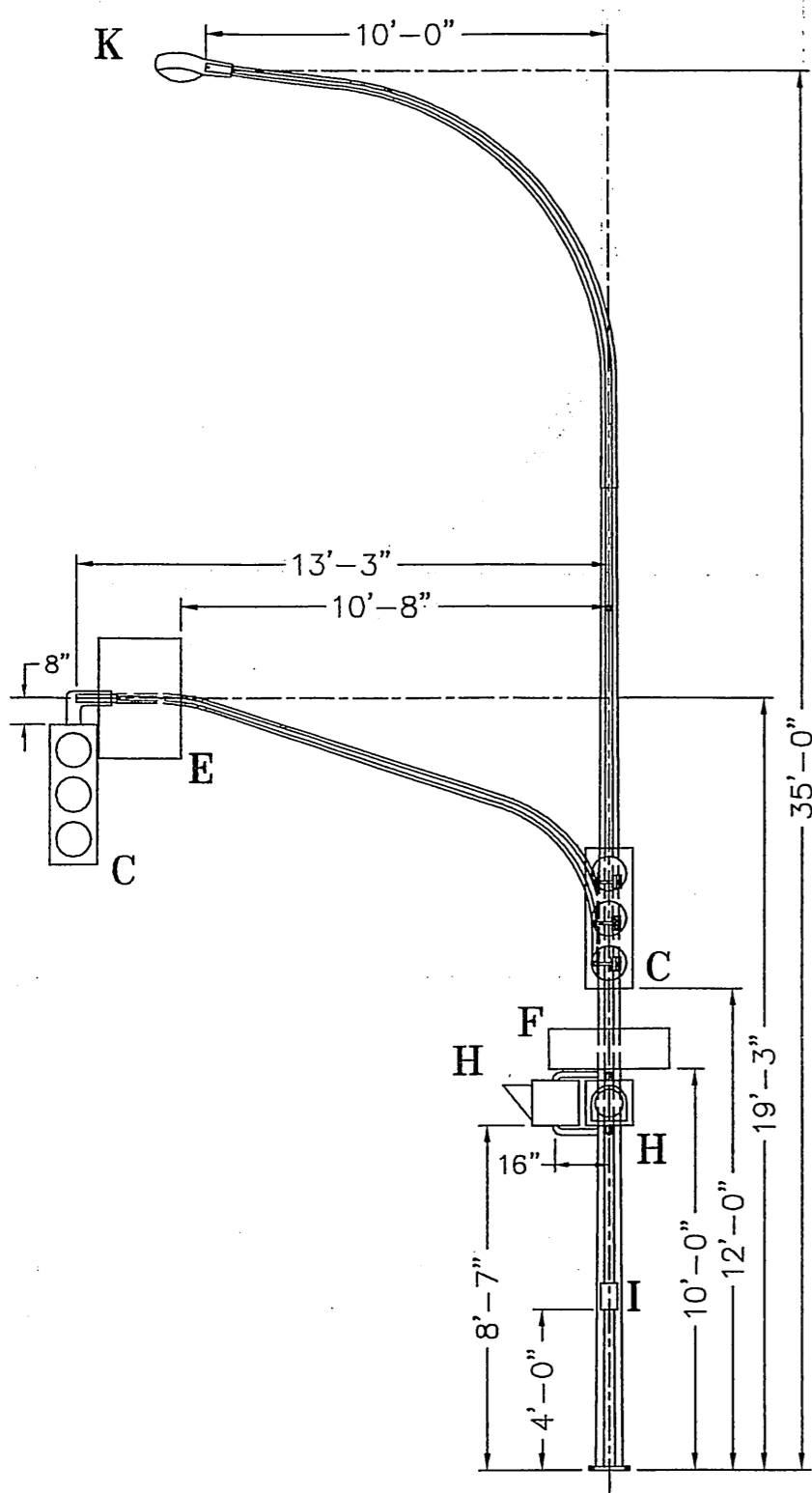


35 FOOT SIGNALS STREET LIGHTING JOINT USE POLE

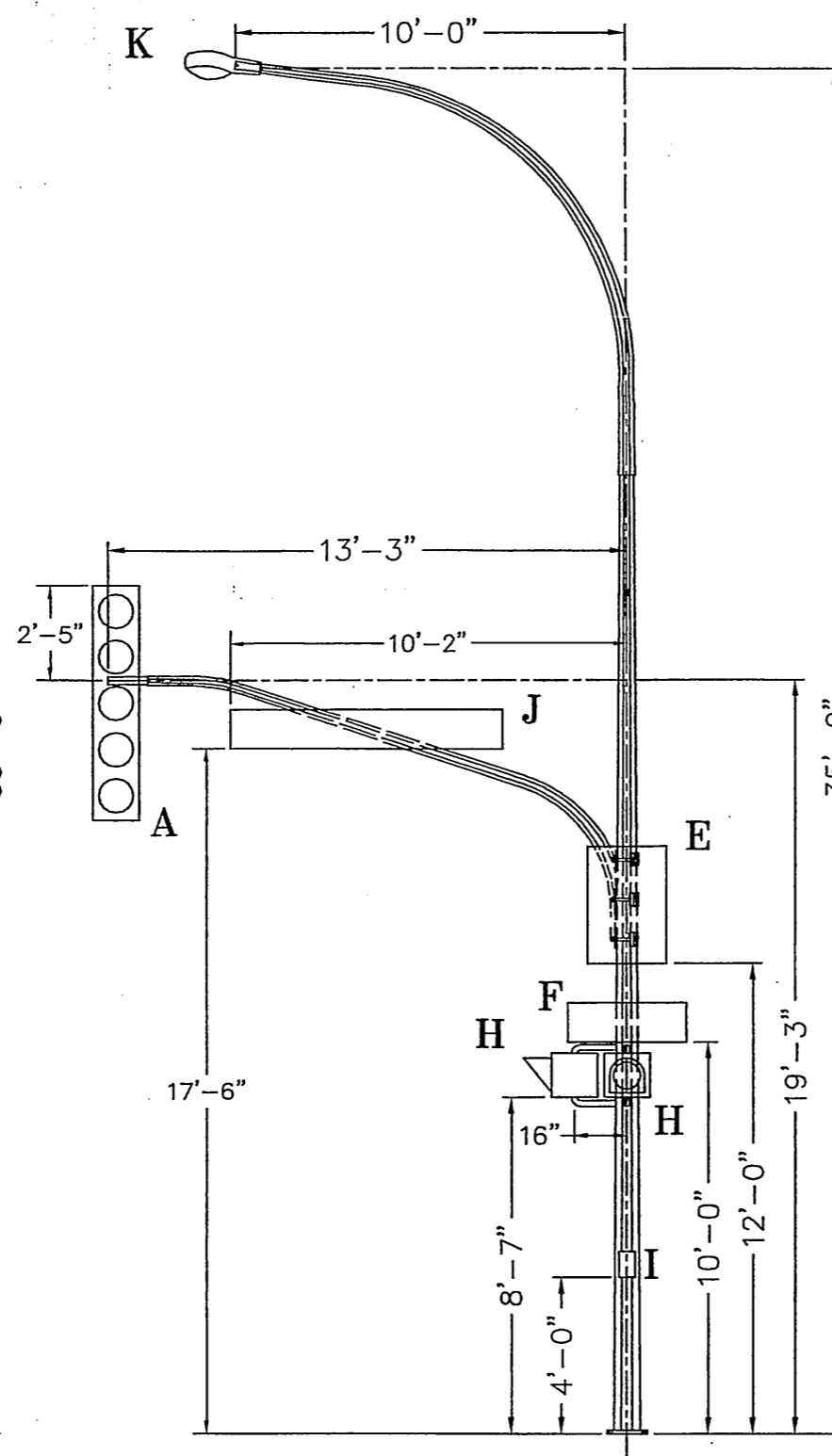
DESIGN AS PER THE 2001 4th EDITION OF THE AMERICAN ASSOCIATION OF STATE HIGHWAY AND TRANSPORTATION OFFICIALS (AASHTO) STANDARD SPECIFICATIONS FOR STRUCTURAL SUPPORTS FOR HIGHWAY SIGNS, LUMINAIRES AND TRAFFIC SIGNALS. THE 35 FOOT SIGNALS STREET LIGHTING JOINT USE POLE IS DESIGNED TO SUPPORT LOADS AS SHOWN ON THIS DRAWING AND DESCRIBED IN THE TECHNICAL SPECIFICATION, FOR AASHTO GROUP LOAD COMBINATION 1, II, III AND TRAFFIC SIGNAL FATIGUE CATEGORY III OF LOAD COMBINATION IV. ALL RESULTS ARE LISTED IN DESIGN RESULT REPORT. THE DESIGN WIND PRESSURE $P_z = 0.00256K_zGV^2I_rCd$ psf WHERE $(0.00256GV^2) = 25.6$ psf, K_z AS PER AASHTO TABLE 3-5 EXCEPT NOT LESS THAN 1.0, $I_r = 1.0$ FOR 50 YEAR DESIGN LIFE AND C_d AS PER AASHTO TABLE 3-6.

PROPERTIES OF SIGNALS AND SIGNS

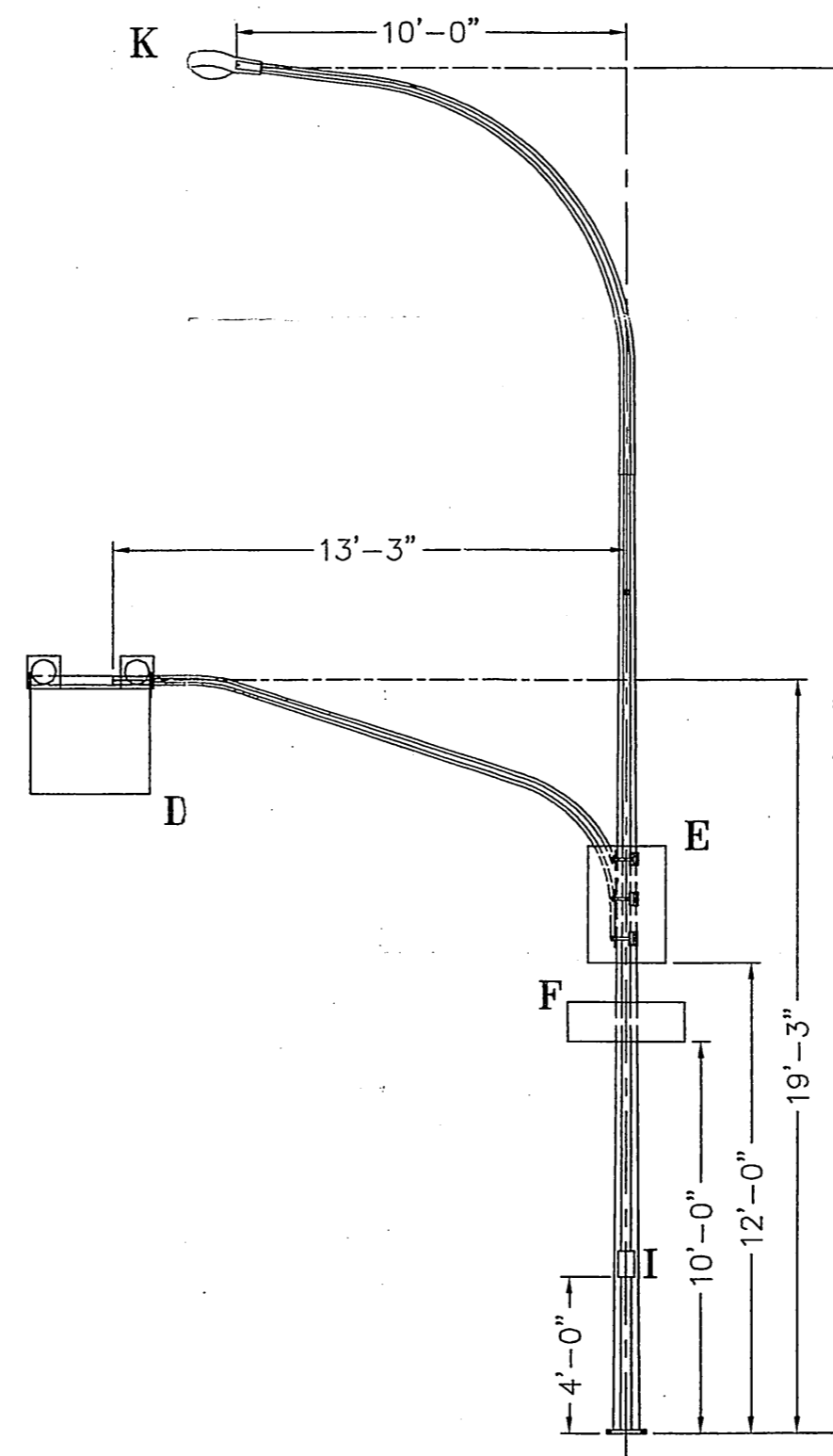
- FACE, END AND BOTTOM AREAS LISTED BELOW DO NOT INCLUDE DRAG COEFFICIENT
- A 5 SECTION 12" SIGNAL HEAD PLUMBIZER ATTACHMENT
FACE AREA 7.0 sq. ft. (14" x 72")
END AREA 1.34 sq. ft.
WEIGHT 80 lb.
- C 3 SECTION 12" SIGNAL HEAD HANGER ATTACHMENT
FACE AREA 4.08 sq. ft. (14" x 42")
END AREA 1.34 sq. ft.
WEIGHT 50 lb.
- D PEDESTRIAN CORRIDOR UNIT WITH FOUR FLASHING LIGHTS
TOTAL FACE AREA 9.63 sq. ft. (36½" W x 32½" H, EACH LIGHT 10" SQ.)
BOTTOM AREA 4.56 sq. ft. (36½" W x 18" D)
TOTAL WEIGHT 100 lb.
- E TRAFFIC SIGN
FACE AREA 6.0 sq. ft. (24" W x 36" H)
WEIGHT 14 lb.
- F TRAFFIC SIGN
FACE AREA 3.0 sq. ft. (36" W x 12" H)
WEIGHT 10 lb.
- H TWO PEDESTRIAN HEADS AT 90°
TOTAL EFFECTIVE PROJECTED AREA 3.3 sq. ft. (EACH 13½" W x 13½" H)
TOTAL WEIGHT 50 lb.
- I TRAFFIC SIGN
FACE AREA 0.28 sq. ft. (5" W x 8" H)
WEIGHT 5 lb.
- J STREET NAME SIGN
FACE AREA 7.0 sq. ft. (84" W x 12" H)
WEIGHT 17 lb.
- K 250 WATT STREET LIGHT LUMINAIRE
EFFECTIVE PROJECTED AREA 2.15 sq. ft.
TOTAL WEIGHT 60 lb.



LOAD CONFIGURATION 1
8 FT OR 12 FT CLAMP ON ARM



LOAD CONFIGURATION 2
8 FT OR 12 FT CLAMP ON ARM



LOAD CONFIGURATION 3
8 FT OR 12 FT CLAMP ON ARM

NOTE: LOAD CONFIGURATION 1, 2 & 3 ARE MAXIMUM LOADING USING 4-1¼" DIA. ANCHOR RODS ON 11½" BCD.



1	FEB. 2 2005	REDRAWN AND ADDED SHEET 2 & 3	<i>D. Selme</i>
REV. No.	DATE	REVISIONS	APPROVED
THE CITY OF WINNIPEG PUBLIC WORKS DEPARTMENT TRANSPORTATION DIVISION			
GES ENGINEERING INC. CALGARY, AB. PHONE (403) 240-2921 FAX (403) 240-3713			
35 FT. SIGNALS STREET LIGHTING JOINT USE POLE			
DESIGNED AND APPROVED <i>D. Selme</i> DATE GES Engineering Inc Jan 12, 2005	DRAWN G.G. DATE DEC 6, 2004	DWG No. ST-158 SCALE NTS SHEET 2 OF 3 REV. No. 1	